

BASE RFID (9004 Series) Electronic Hotel Lock

Be-Tech BASE RFID offers the latest and reliable Radio Frequency Identification (RFID) technology and high cost performance solution to go contactless Be-Tech electronic lock.

Be-Tech BASE RFID offers the most flexible solution for future All-in-one card applications.



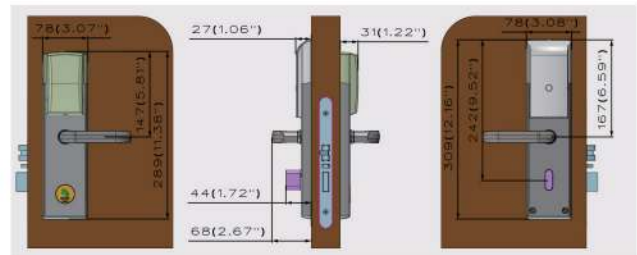
Features:

- Stand alone electronic lock with RFID technology.
- High security stainless steel mortise lockcase available in ANSI, AUS and EURO versions.
- Zinc alloy handle with long lasting painting finish.
- 3-point stainless steel latch construction with antifriction mechanism.
- Mortise equipped 20mm throw high strength deadbolt.
- Panic release function - the deadbolt and latch are automatically retracted by inside handle for easy regress in emergency situation.
- ADA compliant (guest with physical disabilities).
- Future proof re-programmable FLASH RAM lock memory.
- Powered by four AA alkaline batteries that provide up to 1 year normal life time.
- 1000 events audit trail.
- Compatible with BIS HOTEL software platform.
- High security mechanical override cylinder available.

RFID Specifications:

- 13.56MHz technology
- Compatible with the following standard : ISO 14443 A (MIFARE Classic)
- Eleven free sectors for future All-in-one card application use

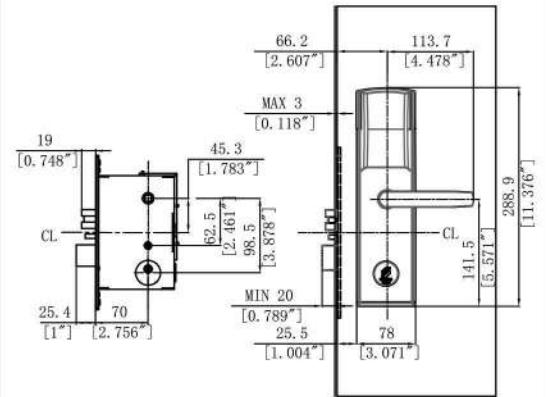
Dimensions:



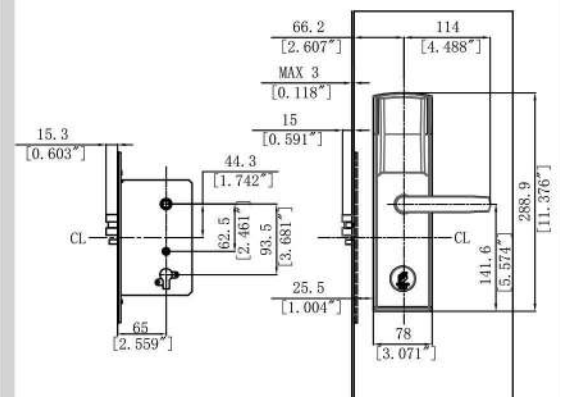
Technical Data:

| | |
|-------------------------------|--|
| Power | 4 x 1.5V AA alkaline batteries |
| Battery Location | Inside of the back lock |
| Material | Handles: Zinc Alloy Lock body: Stainless steel quality SUS304 |
| Metal Finishes | Silver, Mocha Red, Brown |
| Emergency Opening Options | Emergency Opening with Mechanical cylinder |
| Locking Mechanism | Electro-mechanical locking mechanism |
| Door Thickness | 35-80mm (only for EURO mortise) |
| System Software Compatibility | BIS Hotel |
| Storage Temperature | -40°C~80°C, non-condensing environment |
| Tested Operating Temperature | Tested from :-20°C~66°C |
| Supported RFID Standard | ISO 14443 A (MIFARE Classic) |

ANSI Lockcase



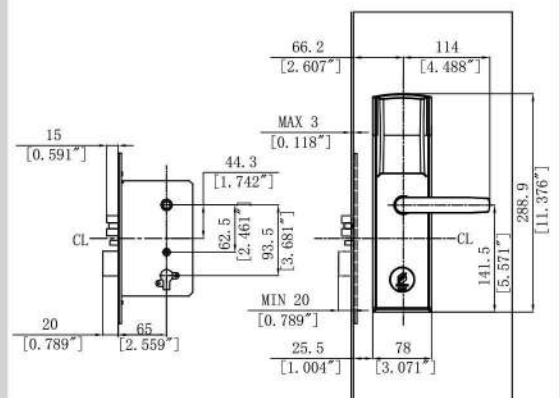
AUS Lockcase



Lockcase Dimensions:

| | |
|-------------------------|--|
| ANSI Lock Case Variants | ANSI DB |
| ANSI Lock Case Widths | 28mm / 1.10 inches 31.5mm / 1.24 inches |
| ANSI Backset | 70mm / 2.76 inches |
| EURO Lock Case Variants | EURO DB, available in: Australia version(AUS) |
| EURO Lock Case Widths | 22mm / 0.87 inches |
| EURO Backsets | 65mm / 2.56 inches |

EURO Lockcase



Guangdong Be-Tech Security Systems Limited

No. 17, Ronggui Technology Industrial Park
Keyuan 3rd Road, Shunde, Foshan
Guangdong, P.R.China

Tel:+86 757 28376123 | Fax:+86 757 28308823

E-mail:export@be-tech.com.cn | www.betechlock.com

Specifications may change without notice.

ID: 04-BTMA42C2010-E-1-02