

# GUARDIAN RFID VALUE (G4 Series) Electronic Hotel Lock

**Be-Tech GUARDIAN RFID VALUE** is the latest addition to our range of security solution for the economical hospitality industry and community buildings.

**Be-Tech GUARDIAN RFID VALUE** is the ideal for budget hotel when replacing existing systems, it meets the needs of all budget hotels: from large chains to youth hotels businesses.

**Be-Tech GUARDIAN VALUE RFID** is equipped the most flexible platform for the future All-in-One card applications.



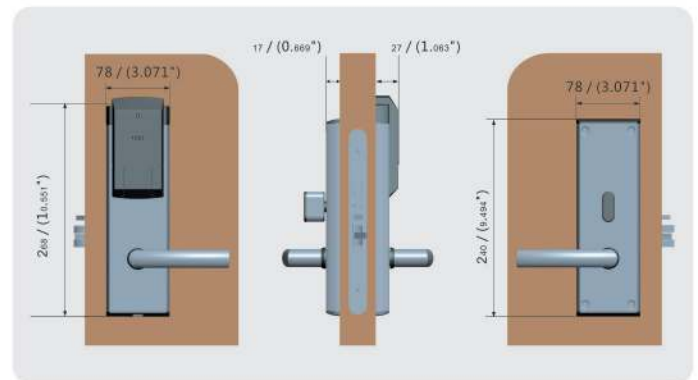
## Features:

- Stand alone electronic lock with RFID technology.
- Operates with a completely sealed contactless module.
- High security stainless steel mortise lockcase available in ANSI, AUS and EURO versions.
- Stainless steel handle with high strength central spindle.
- 3-point stainless steel latch construction with antifriction mechanism.
- Mortise equipped 20mm throw high strength deadbolt.
- Panic release function - the deadbolt and latch are automatically retracted by inside handle for easy regress in emergency situation.
- ADA compliant (guest with physical disabilities).
- Future proof re-programmable FLASH RAM lock memory.
- Powered by four AA batteries.
- 414 events audit trail.
- Compatible with BIS HOTEL software platform.
- High security mechanical override cylinder available.

## RFID Specifications:

- 13.56MHz technology
- Compatible with the following standard : ISO 14443 A (MIFARE Classic)
- Eleven free sectors for future All-in-one card application use

## Dimensions:



GUARDIAN RFID VALUE series is not suitable for outdoor.



Focus on Smart Lock Since 1992.

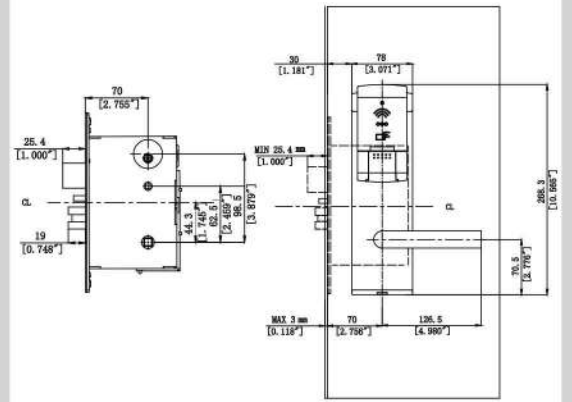
## Technical Data:

Power	4 x 1.5V AA alkaline batteries
Battery Location	Inside of the back lock
Material	Handles: Stainless steel quality SUS304 Lock body: Stainless steel quality SUS304
Metal Finishes	Silver, Gold
Emergency Opening Options	Emergency Opening with Mechanical cylinder
Locking Mechanism	Electro-mechanical locking mechanism
Door Thickness	35-80mm (only for EURO mortise)
System Software Compatibility	BIS Hotel
Storage Temperature	Workable -20°C~60°C: non-condensing environment
Tested Operating Temperature	Tested from -25°C~70°C
Certifications	Approved according to EN14846. Fire approved according to EN 1634-1 Fire approved according to UL(timber doors)
Supported RFID Standard	ISO 14443 A (MIFARE Classic)

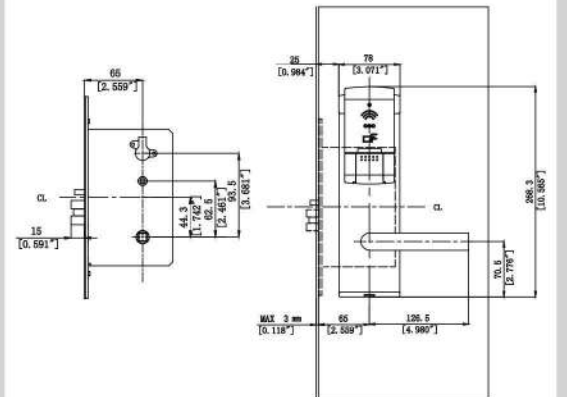
## Lockcase Dimensions:

ANSI Lock Case Variants	ANSI DA
ANSI Lock Case Widths	28mm / 1.10 inches 31.5mm / 1.24 inches
ANSI Backset	70mm / 2.76 inches
EURO Lock Case Variants	EURO DA, available in: Australia version(AUS) Japan version(JPN)
EURO Lock Case Widths	22mm / 0.87 inches
EURO Backsets	65mm / 2.56 inches

### ANSI Lockcase



### AUS Lockcase



### EURO Lockcase

